

HUSKY OBSERVER™

UNMANNED GROUND VEHICLE



FEATURES

OPERATE WITH EASE

Navigate various environments with built-in cameras and have the freedom to operate your robot over the internet.

DATA COLLECTION

Specify repeatable autonomous missions to perform inspection and gather data through graphical user interface.

INSPECTION READY

Capture high quality data with built-in pan-tilt-zoom camera, microphone, and optional thermal camera.

CUSTOMIZABLE

Add up to 10 kg of payload. Leverage ROS API for full control of the system and build your own user interface.

INDUSTRIES



OIL & GAS



SECURITY



MANUFACTURING



CONSTRUCTION



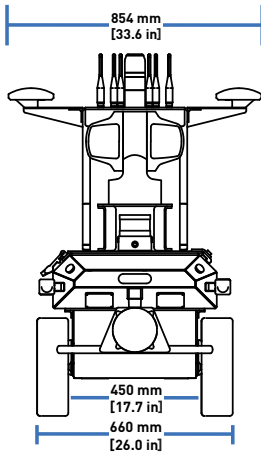
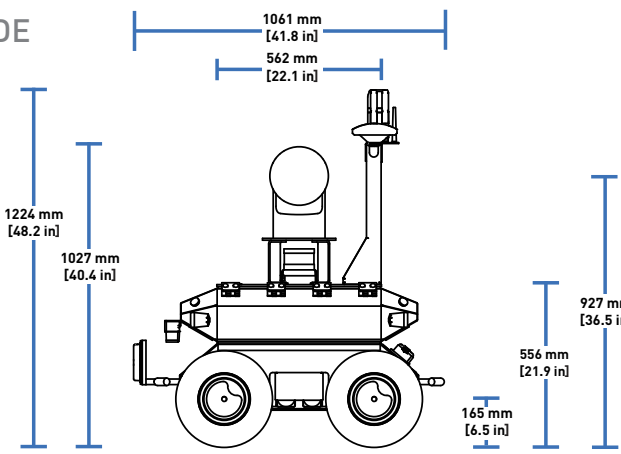
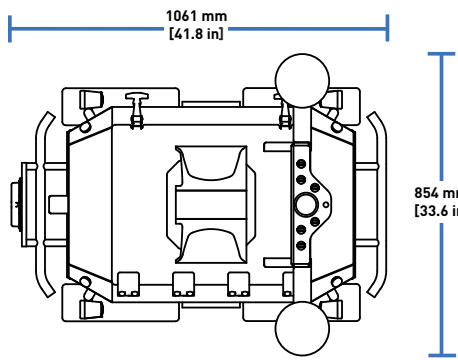
POWER & UTILITIES



AGRICULTURE

Contact us today for pricing and a free 30 minute technical assessment: **1-800-301-3863**

TECHNICAL SPECIFICATIONS

<p>FRONT</p> 	<p>PLATFORM</p> <p>EXTERNAL DIMENSIONS 1061 x 854 x 1224 mm L x W x H (41.8 x 33.6 x 48.2 in)</p> <p>WEIGHT 98.5 kg (217 lbs)</p> <p>MAXIMUM SPEED 1.0 m/s (2.3 mph)</p> <p>GROUND CLEARANCE 130 mm (5 in)</p> <p>OPERATING AMBIENT TEMPERATURE -10 to +40° C</p> <p>INGRESS PROTECTION Designed for IP55</p> <p>OPERATING TIME 2.5 to 4.0 hours</p> <p>NETWORKING WiFi + Cell (LTE)</p> <p>WIRELESS CHARGING Up to 300W</p>
<p>SIDE</p> 	<p>INSPECTION SENSORS</p> <p>PTZ CAMERA 1920 x 1080 video/image resolution, 31x optical zoom, IR illumination up to 400 m</p> <p>MICROPHONE 20 Hz to 10 kHz range, -22 dB sensitivity, 126 dB max SPL, 82 dBA SNR</p> <p>OPTIONAL THERMAL CAMERA 640 x 480 resolution, up to 42° FOV, video + radiometric streaming, motorized focus control</p>
<p>TOP</p> 	<p>NAVIGATION SENSORS</p> <p>FRONT / REAR DEPTH CAMERAS 1280 x 720 active stereo depth resolution (90 FPS max), 1920 x 1080 RGB (30 FPS max)</p> <p>FRONT 2D LIDAR / OPTIONAL REAR 2D LIDAR 0.02 - 10m range, 40Hz, 270° FOV, 0.25° resolution</p> <p>3D LIDAR 16 channels, measurement range: up to 100 m, accuracy: ±3 cm (typical)</p> <p>ATTITUDE AND HEADING REFERENCE SYSTEM (AHRS) ±8g accel range, ±300 °/sec gyro range, ±0.5° static roll/pitch/heading, ±2.0° dynamic roll/pitch heading, 0.2° repeatability, <0.1° resolution, 1000 Hz output rate</p> <p>RTK GPS Localization within 5 cm or less</p>

CONTACT US FOR MORE INFORMATION

Clearpath Robotics Inc.
 1425 Strasburg Road, Unit 2A
 Kitchener, Ontario
 N2R 1H2, Canada

TEL: 1-800-301-3863
FAX: 1-888-374-0091
@: info@clearpathrobotics.com
WEB: www.clearpathrobotics.com

Don't forget to find us online:

